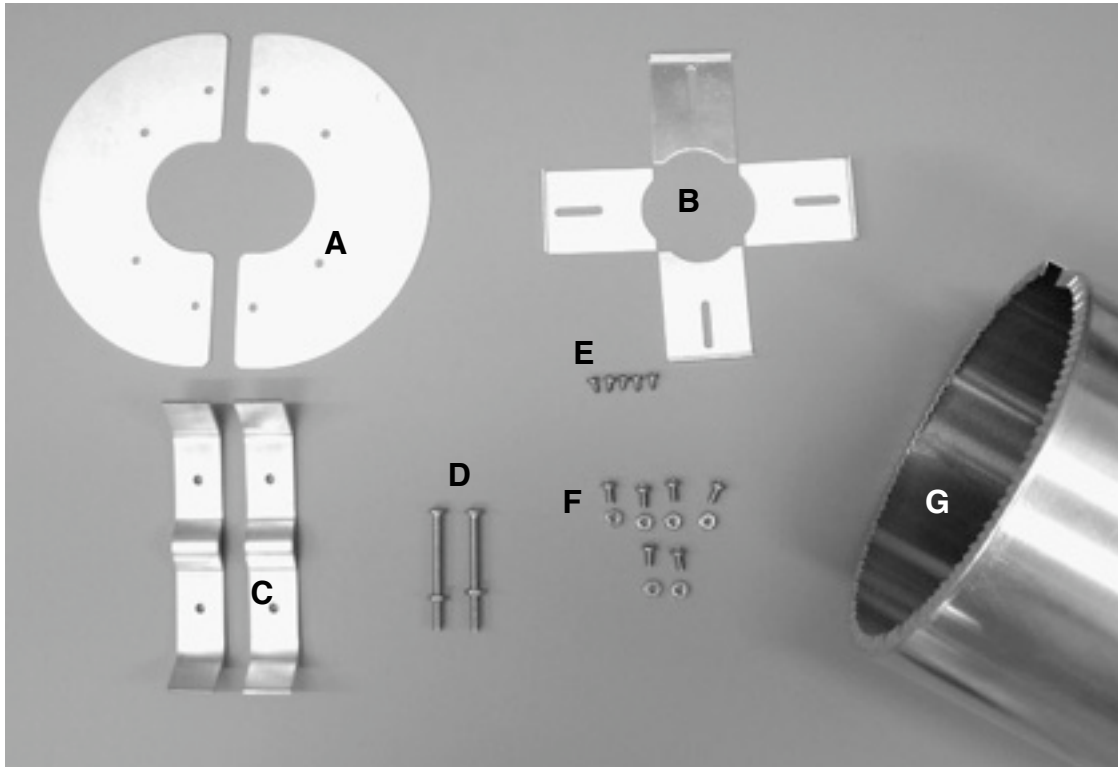


Pole Guard Instructions

Pole Guard Round

Pole Guard Square instructions on back page

This pole guard will fit any round pole with an outside diameter between 3/4" and 2-3/8".



Parts List

- A: Top Halves
 - B: Adjustable Plates
 - C: Pole Clamps
 - D: (2) #10 x 2 1/2" bolts with # 10 nuts attached
 - E: (5) #6 x 1/4 pan head sheet metal screws
 - F: (6) #8 x 3/8" machine screws and (6) # 8 nuts
 - G: 7 1/2" diameter x 24" long aluminum tube
- All hardware is stainless steel

Pole Guard Instructions

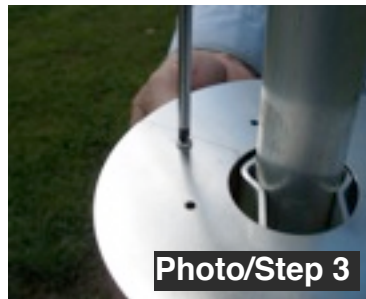
Pole guard recommended installed height is 48" from the ground up. If you have a rope winder installed on your pole, you will need to raise the rope winder a minimum of 6" above the installed pole guard. Measure your 48" and mark your pole



Step 1) Installing the pole clamps, you will need the pole clamps (C), and the, # 10 x 2 1/2" bolts with the # 10 nuts attached (D). Place the 2 clamps together with the flat sides facing each other. Undo the nut from one of the bolts and place screw thru the left side of holes, and thread the nut on enough that it catches the threads of the bolt. Pull the two clamps apart and place the pole between the clamps. Put your last # 10 x 2 1/2" bolt thru the other hole, thread nut on. Make sure your bracket is at your 48" mark, level and tighten your nuts, making sure your clamp is snugged to fit your pole. See photo 1.



Step 2) Installing top plates using parts (A) top plates and 2 of the #8 x 3/8" (F) screws and 2 #8 nuts. Overlap the two halves so that the uppermost and lowermost holes align. Place one of your screws, through the top down and place a nut on and thread but don't tighten. Open the two halves and bring the top plates around the pole. See Photo 2.

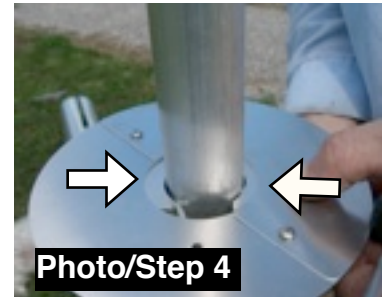


Step 3) Insert the other #8 x 3/8" screw and attach nut. Tighten both of these screws.

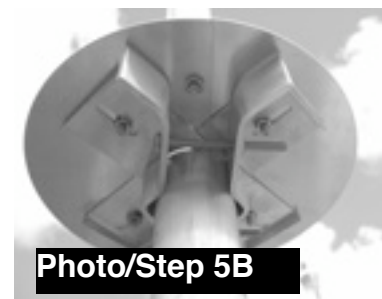


Step 4) Installing the adjustable plates. You will need the last 4 #8 x 3/8" screws and nuts (F) and the 4 adjustable plates (B). Notice that the plates have one end that is folded, and the other end has a rounded notch on it. From the underside you will place on the adjustable plates flat side against the top plate, notched area towards the pole. Place a screw into the hole that would line up with the corresponding plate and thread nut on. Repeat process on the opposite side. Do not over tighten

the nuts. Once the first two adjustable plates are installed, raise the top plates and rotate around the pole so that you can install the last 2 adjustable plates in the area to which you installed the 2 previous plates.



Step 5) The last 2 plates install the same way only you want the plates to lay under the first two plates. See photo 5B.



Once all your plates are installed you need to adjust the plates in towards your pole, centering the plates to the pole, eliminating any gaps. Tighten the nuts.

Pole Guard Instructions

Step 6) Installing the pole guard tube. ***It is very important to install the tube as directed. Failure to do so could result in a warped tube.***

With the crimped end up, open the tube only wide enough to allow the pole in. Notice in photo 6 that you do this below your installed top plate. Pull the tube upward towards your installed top plates. Tip your guard around the top plate and let it come down and rest on the plate.



Photo/Step 6



Photo/Step 6B

Step 7) Installing the #6 x 1/4" sheet metal screws. You will want to install the screws from the top to the bottom. First, to install the top screw hold the guard tube above the top plate. See photo 7. Be sure that you overlap the larger holes over the smaller holes. Insert the sheet metal screw into the hole and

tighten. Let the guard slide back over the top plates, you may need to gently wiggle the guard tube in order to achieve this.



Photo/Step 7

Step 8) Holding your guard tube at the bottom with one hand align the second hole from the top by adjusting the guard tube from the bottom. Insert your next # 6 sheet metal screw. Repeat these steps till all the screws are inserted. DO NOT over tighten these screws as this can distort your tube. Congratulations! You have installed your pole guard.



Photo/Step 8

Maintenance of the Pole Guard

Your Pole Guard will wobble slightly when touched. Its also important to wax (with your favorite car wax) your guard tube. Waxing not only keeps you guard tube slick, it will keep your tube free from the weather elements.

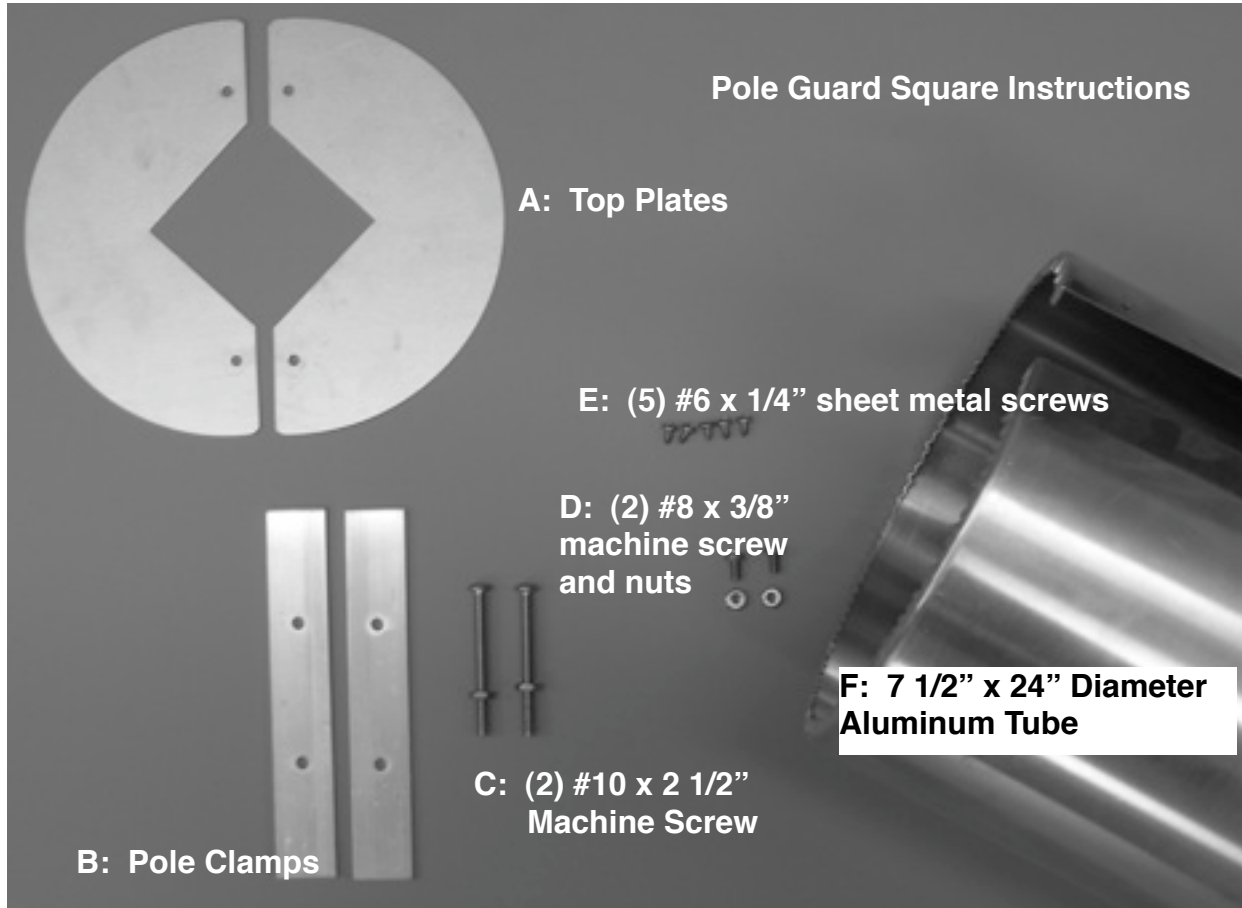
Pole guards are effective against climbing predators but in no way can they guarantee that no predator will circumvent this guard.

Thank you for purchasing this Pole Guard from Creative Universe Enterprises. We hope you enjoy this product for many years to come. If you have any questions about the installation of this pole guard please call or email us. We are happy to help.



Pole Guard Square Instructions on the back side of this page. Step 6 - 8 are universal. Please refer to these steps when assembling your Pole Guard Square

Pole Guard Instructions



Measure and mark your pole at 48"

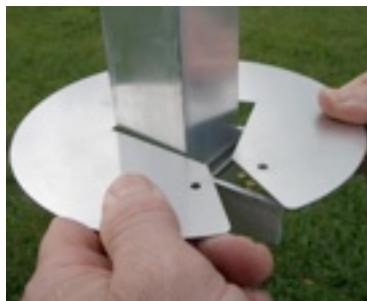


Attach your pole guard clamps (B) using the 2 #10 x 2-1/2" screws and nuts (C). Make sure your clamps are level, and tighten nuts.



Overlap the top plate halves (A) and align the holes. Insert one of the #8 x 3/8" (D) screws and thread nut on but do not tighten. Open the plate and insert the square pole thru plates.

Insert the last # 8 x 3/8" screw, thread nut on and tighten both nuts at this time.



Install your guard tube (F) by opening the tube no greater than the width of pole.



Please go to step 6 and follow the rest of the directions to complete installation.